

ASD SSG Newsletter

January 2016 Issue



AeroSpace and Defence Industries Association of Europe (ASD) is the European association representing the interests of industries in the aeronautics, space, defence and security sectors. [Link](#)

ASD Strategic Standardisation Group (SSG) is the governance group in charge of Aerospace and Defence digital interoperability. [Link](#)
IDENTIFYING THE SET OF STANDARDS REQUIRED FOR AEROSPACE AND DEFENCE DIGITAL INTEROPERABILITY.

- **Success story: Long-term preservation of 3D digital mock-ups for certification at Dassault Aviation**
- **Product Data Management Implementer Forum: successful launch with both automotive industry and Aerospace & Defence industry stakeholders**
- **S1000D User Forum and ILS Spec Day, 21-24 September in San Diego**
- **STEP AP239 Product Life-Cycle and Support (PLCS) edition 3**
- **First STEP AP 242 benchmark results published, and preparation of benchmark N°2**
- **ISO JT ed2: a new ISO standard for product “light visualisation”**
- **AirDesign Conference: towards an operational platform for product data exchange and sharing**
- **BoostAero User Forum 20th of October 2015**
- **Next events**

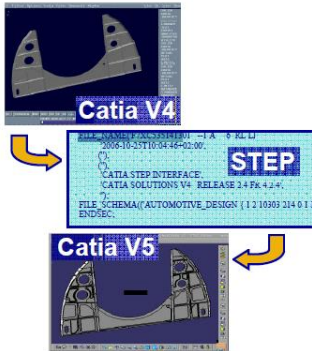
ASD SSG, January 2016

With our best wishes for 2016!

The ASD SSG members

www.asd-ssg.org

Success story: Long-term preservation of 3D digital mock-ups for certification at Dassault Aviation



Aim of this “Success Story” heading is to highlight some successful implementations of standards for data exchange and data archiving in Aerospace and Defence industries. The one presented here dates from 2011 and is considered by SSG as an industry best practice.

Falcon 7X 3D data are archived in neutral format in a Long-Term Archiving System, guaranteeing the **preservation** and **non-alteration** of data over a period exceeding the operational life of the 7X (approximately **70 years**). This System implements the [LOTAR](#) standards.

The Falcon 7X is therefore the **first aircraft to be digitally designed in 3D**, without any paper drawings, to have received dual EASA and FAA certification.

[Read more on ASD SSG website](#)

Product Data Management Implementer Forum: successful launch with both automotive industry and Aerospace & Defence industry stakeholders



The PDM-IF is a **cooperation platform** between industries and PDM vendors / integrators. Objective is to conduct **Interoperability Test rounds** between COTS PDM STEP interfaces of PDM vendors and integrators, with the objective to make the STEP PDM interoperability standards useable with production software and deployable worldwide.

PDM-IF activities started on the 29th of September in Paris, with the launch of its two working groups: the **User Group** and the **Implementer Group**.

The PDM-IF is hosted by AFNeT and ProSTEP iViP associations.

[Read more on ASD SSG website.](#)

S1000D User Forum and ILS Spec Day, 21-24 September in San Diego



S1000D, **international specification for the procurement and production of technical publications**, is widely used in aeronautics (civil and military) and defence (land and sea). This **S1000D User Forum** was an opportunity for ATA e-Business, AIA and ASD to share the status and future of S1000D. The technical presentations have shown the **high level of S1000D maturity** and the **large choice of available vendor solutions**.

The **ILS Specification Day** concentrated on updates of the status of the **whole S-series of ILS specifications**, including an update from the Data Model and Exchange Working Group and ASD STE100 (Simplified Technical English).

[Read more on ASD SSG website](#)

STEP AP239 Product Life-Cycle and Support (PLCS) edition 3

PLCS is used by several Defence organisations and Industrial companies to **manage product support analysis** and the **exchange of product support information**.



In November 2015, a **new work item** was proposed at **ISO** on **PLCS edition 3**, with two main objectives:

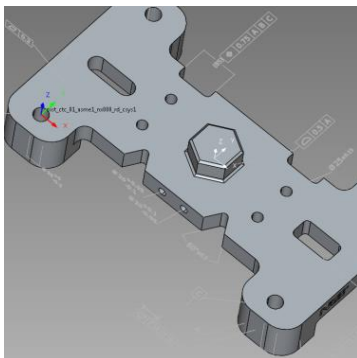
1. Avoid the current dispersion of PLCS versions (shared between ISO and OASIS) and **unify PLCS** based on the new STEP architecture.
2. Push PLCS as the **reference standard for product support**, providing the needed efficient infrastructure supporting the **Logistics Support standards** (including AIA-ASD Suite of ILS recommendations, SAE TA-STD-0017 and GEIA-STD-0007)

You are invited to support the current vote at ISO (please contact your national standard organisation, ballot closing 18 January 2016).

[Read more on ASD SSG website](#)

First STEP AP 242 benchmark results published, and preparation of benchmark N°2

The AFNeT association has published the **STEP AP242 benchmark N1** focused on **CAD information interoperability**.



For 3D exact geometry and for assembly structure, the results show that a **high level of quality of AP242 converters** is already achieved.

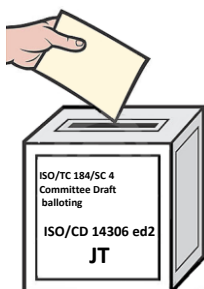
For 3D exact or 3D tessellated geometry associated with 3D PMI graphic presentation, the results are promising and enhancements are still expected with the availability of new COTS applications in 2016.

This benchmark will be completed by a **2nd benchmark** organized in 2016 by AFNeT and ProSTEP iViP, including:

- Additional AP242 converters, such as 3DEXPERIENCE, Creo, Solid Edge, SolidWorks, etc. and additional 3D viewers.
- Testing of product structure exchange, based on AP242 XML, with PDM systems such as PDMLink, TeamCentre, 3DEXPERIENCE, ARAS.

[Read more on ASD SSG website](#)

ISO JT ed2: a new ISO standard for product “light visualisation”



ISO 14306 edition 2 committee draft (ISO-JTed2) has **passed the CD ballot** with 13 "Yes", 1 "No" and 3 abstentions and a number of comments.

We are glad of this **large consensus to proceed on ISO-JTed2 as a draft international standard**.

After 2 years of reducing the gaps in the documentation, the standard is now in a suitable state for ISO publication.

The launch of the DIS ballot of ISO JT ed2 based on the successful CD document is scheduled for March 2016.

[Read more on ASD SSG website](#)

AirDesign Conference: towards an operational platform for product data exchange and sharing



AirDesign (from [BoostAeroSpace](#) European Cloud) is planned to be a highly secure, traceable and interoperable **collaboration platform**, open to Internet, for advanced data exchange for Aircraft Program design and manufacturing.

AirDesign intends to **implement ASD SSG recommendations related to the exchange of CAD and PDM data** (e.g. use of STEP AP242 and ASD-SSG TDP envelope).

An AirDesign Conference, organised by GIFAS, will take place 26th January 2016 in Paris, where Dassault Aviation and Thales will demonstrate AirDesign use cases.

Registration: <https://www.weezevent.com/conference-air-design>

BoostAero User Forum 20th of October 2015



BoostAero is a **standard recommended by ASD SSG for the supply chain transactions** (buy-ship-pay process) developed by the BAI association and deployed on the AirSupply platform.

The BoostAero XML User Forum was an opportunity for end-users (Safran, Dassault-Aviation, Hutchinson, SKF, Simmad, SRCI, etc) to **share their experience on BoostAero XML**. The certification process for editor implementations was presented.

More information [here](#).

Next events:

- **12th NATO LCM Conference**, 26-27 January in Brussels
- **DMEWG meeting**, 9-12 February in Madrid
- **S1000D Steering Committee**, 16-18 February in Siegburg, Germany
- **ILS Council**, Seville, 07-08 March in Spain
- **ASD PSSG**, 09-10 March in Seville
- **S2000M PLCSTT**, 15-17 March in Turin
- **SSG meeting**, 22-23 March in Paris
- **ProSTEP iViP Symposium**, 20-21 April in Stuttgart
- **ISO TC 184/SC 4 Meeting**, 22-27 May in Sapporo, Japan



IDENTIFYING THE SET OF STANDARDS REQUIRED FOR AEROSPACE AND DEFENCE DIGITAL INTEROPERABILITY

<http://www.asd-ssg.org/>

[\(REMOVE\)](#) - To be removed from the ASD SSG distribution list.
[\(REGISTER\)](#) - To add your name in the ASD SSG distribution list.
[\(CONTACT\)](#) - ASD SSG welcomes any comment or question.