

ASD SSG Newsletter

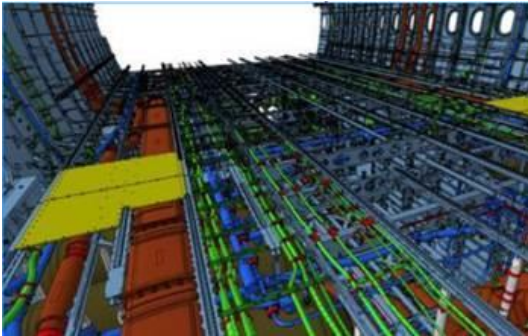
July 2015 Issue



AeroSpace and Defence Industries Association of Europe (ASD) is the European association representing the interests of industries in the aeronautics, space, defence and security sectors. [Link](#)

ASD Strategic Standardisation Group (SSG) is the governance group in charge of Aerospace and Defence digital interoperability. [Link IDENTIFYING THE SET OF STANDARDS REQUIRED FOR AEROSPACE AND DEFENCE DIGITAL INTEROPERABILITY.](#)

Success story: operational use of STEP AP 214 standard at Airbus for conversion of 3D exact geometry models from CADD5 to Catia V5 for the A380



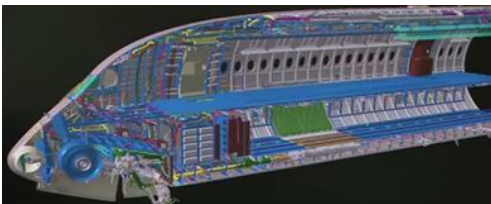
The development of the A380, started in the 1990ies, was based on Cadd5, Catia V4 and CatiaV5 CAD systems. Now, the **migration of legacy CAD models** to Catia V5 is achieved. The conversion of CADD5 3D exact geometry models to Catia V5-R21 has been carried out **based on the use of STEP AP 214** (exception of some specific disciplines).

End to end **quality control** of the conversions has been ensured by the use of a set geometrical validation properties including the “cloud of points” method.

The figure beside is the result in Catia V5 of the conversion using STEP AP 214 format.

[Read more on related standards on ASD SSG website](#)

The ISO standard for Digital Mock-up exchange and archiving, STEP AP242, is being extended to include electrical harness definition and other significant enhancements



The edition 2 of STEP AP242 is planned to support **wiring and harness design**, and additional enhancements related to PDM data, composite design, mechanical design and 3D Product Manufacturing Information.

The ISO “Committee Draft” is under development.

[Read more on ASD SSG website.](#)

New backbone standard for Product Support launched at ISO: STEP AP239 PLCS ed3



This new version should provide the required **interoperability between the several emerging Integrated Logistics & Support (ILS)** standards (like the AIA-ASD Suite of Specification and the GEIA STD-0007), and improve integration with other parts of STEP.

It was introduced at ISO in June through a **Preliminary Work Item.**

[Read more on ASD SSG website](#)

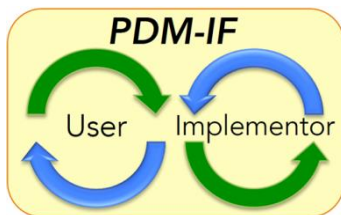
ISO Annual Report 2014 now published



Includes article “**One step further in the exchange of Product data**”, referring to the publication of **ISO 10303-209** on the multidisciplinary analysis and design of complex parts, **ISO 10303-210** on electronic assembly, interconnect and packaging design, and **ISO 10303-242** on model-based three-dimensional engineering.

[Read more on ISO website](#)

Product Data Management Implementor Forum (PDM-IF) boarding on September 29th in Paris

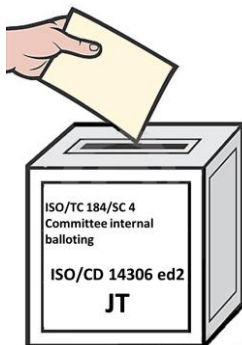


The PDM-IF User and Implementor groups are meeting in Paris on September 29th to start their activities. The PDM-IF has been operating since June 2015 with web-conferences hosted by AFNeT and Prostep iViP.

The goal of the PDM-IF is to provide an international platform for conducting **test rounds of PDM interoperability** based on the suite of STEP standards.

[Read more on ASD SSG website](#)

ISO JT edition 2 Committee Draft update

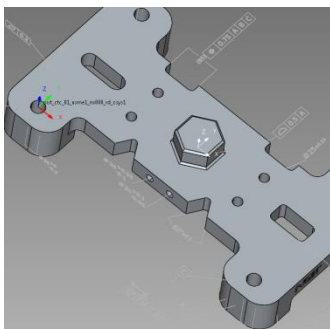


The results of the ISO/TC 184/SC 4 internal committee ballot on the status of XT B-Rep and the scope restrictions are that XT B-Rep shall stay an informative annex and the scope restriction shall stay in the Committee Draft.

The ASD SSG is confident that this result will lead to a **Committee Draft aligned with the ASD SSG requirements** for JT edition 2. European Aerospace and Defence Industry confirms the need to have a **visualisation standard compatible with the STEP environment**.

[Read more on ASD SSG website](#)

STEP AP 242 benchmark N°1



The first AFNeT STEP AP 242 benchmark has **started testing in May 2015**, with the support of Autodesk, Core Technologie, Dassault Systèmes, Datakit, Kisters and Techsoft3D. The benchmark includes the test of Catia V5-6R2015, Creo Parametric V3, NX V10, Autodesk Inventor 2016 Pro, 3DLive, 3D_Analyser, 3D PDF Converter V4.2 and CrossManager STEP to PDF 3D.

The **final report** will be **published end of Sept. 2015**.

[Read more on ASD SSG website](#)

Next events:

- **S1000D Use Forum/ILS Spec. Day**, 21-24 September, San Diego, CA, USA
- **AP239 ed3 White Paper Workshop**, 23-24 September, San Diego, CA, USA
- **LOTAR Workshop**, 12-14 October, Albuquerque, NM, USA
- **AFNeT-ProSTEP iViP PDM Implementer Forum Day**, 29 September, Paris, France
- **ISO/TC 184/SC 4 Meeting**, 18-23 October, Baltimore, MD, USA
- **ASD SSG Meeting**, 18-19 November, Bristol, UK